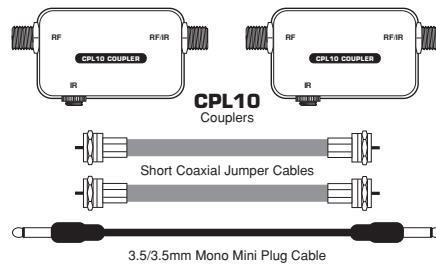


INSTALLATION INSTRUCTIONS

BYPASS94 IR BYPASS KIT

The BYPASS94 routes Infrared control signals around RF amplifiers and non-DC passing splitters.



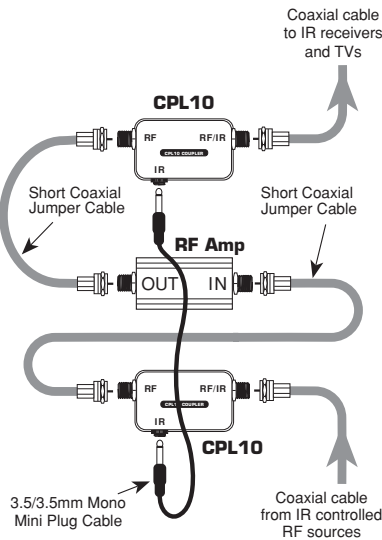
BYPASS94 Kit Parts

The kit includes the following parts:

- 2- CPL10 RF/IR Couplers
- 2- Short coaxial jumper cables, with "F" connectors on each end.
- 1- Connector cable with 3.5mm mono mini plugs on each end.

INSTALLATION

The following diagram illustrates how to connect the kit parts into a coaxial line to route the IR control signal around an RF amplifier in an RF system.



IMPORTANT: Be sure that the IN and OUT terminals of the RF Amp are connected to the terminals marked "RF" on the CPL10 Couplers.

Use the same technique to bypass non-DC passing splitters or other RF devices.